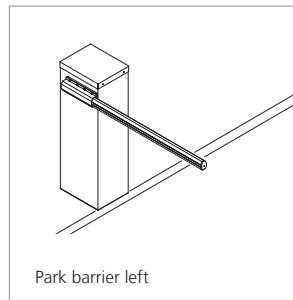


Parc 300

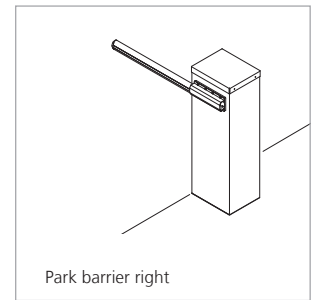
Operator system for park barriers



EOS EASY OPERATING SYSTEM



Park barrier left



Park barrier right

Parc 300

ARTICLE	ARTICLE NO.	PRICE EACH
Park barrier for left hand barrier arm and right hand barrier (Barrier arm length up to 6.000 mm) Stainless steel housing	100 900 102 739	

PACKAGE

- Motor unit Parc 300 with integrated control unit
- Control Parc DC-2

ELECTRICAL DETAILS

Nominal voltage	230 V
Nominal frequency	50 Hz
Power consumption	1,1 A
Power input in operation	0,25 KW
Power input stand-by	ca. 4,0 W
Operation mode (duty cycle)	90%
Control voltage	24 V DC
Protection category	(motor unit) IP 65
Protection class	II

MECHANICAL DETAILS

Opening time (barrier specific)	approx. 8 – 15 Sec.
---------------------------------	---------------------

GENERAL DETAILS

Measurements	(motor unit) 400 x 400 x 1.125 mm
Weight (total)	92 kg
Range of temperature	-20°C to +60°C
Housing colour	anthracite grey, RAL 7011
Top cover colour	signal red, RAL 3001

FUNCTION

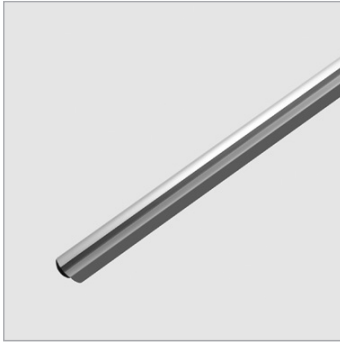
- Absolute value encoder technique
- Soft start/soft stop
- Automatic cut-out
- Push-open security device
- Anti-blocking device
- Excess travel stop
- Automatic timer function
- Electronic travel cut-out
- Release
- Signal light connection
- Connection for pushbuttons, code keypads and key switches
- Connection for extension modules
- Reset function
- Timer function speed programmable
- Housing lockable
- Error message memory

APPLICATION

- To protect subgarage entrances, parking lot or company entrances
- For barrier arm up to max. 6.000 mm with a single and 12.000 mm with a double barrier
- With integrated control unit
- With approved reference point technique
- Opening time adjustable
- Number of cycles per day
 - Barrier arm length < 4.000 mm max. 1.000 cycles
 - Barrier arm length > 4.000 mm max. 750 cycles

Accessories

Parc 200, 300



Barrier arm

ARTICLE	ARTICLE NO.	PRICE EACH
Parc 200		
Barrier arm, 3.000 mm	95 500	
Barrier arm, 4.000 mm	95 501	
Parc 300		
Barrier arm, 4.000 mm	102 791	
Barrier arm, 5.000 mm	95 502	
Barrier arm, 6.000 mm	95 503	
Parc 400		
Barrier arm, 8.000 mm	currently being processed	

PACKAGE

- Barrier arm 1-piece
- Sales unit: 1 no.

FUNCTION / APPLICATION

- To protect subgarage entrances, parking lot or company entrances
- For right or left hand mounting at the park barriers Parc 200, 300, 400

TECHNICAL DETAILS / SPECIFICATIONS

Barrier arm lenght	Effective	Weight
3.300 mm	3.000 mm	5,8 kg
4.300 mm	4.000 mm	7,6 kg
5.300 mm	5.000 mm	10,6 kg
6.300 mm	6.000 mm	12,6 kg
8.300 mm	8.000 mm	16,0 kg

Barrier arm incl. protective profile

ARTICLE	ARTICLE NO.	PRICE EACH
Parc 200		
Barrier arm, 3.000 mm	89 362	
Barrier arm, 4.000 mm	89 363	
Parc 300		
Barrier arm, 4.000 mm	102 790	
Barrier arm, 5.000 mm	89 364	
Barrier arm, 6.000 mm	89 365	
Parc 400		
Barrier arm, 8.000 mm	currently being processed	

PACKAGE

- Barrier arm 1-piece incl. protective profile
- Sales unit: 1 no.

FUNCTION / APPLICATION

- To protect subgarage entrances, parking lot or company entrances
- For right or left hand mounting at the park barriers Parc 200, 300, 400

TECHNICAL DETAILS / SPECIFICATIONS

Barrier arm lenght	Effective	Weight
3.300 mm	3.000 mm	7,0 kg
4.300 mm	4.000 mm	9,1 kg
5.300 mm	5.000 mm	12,4 kg
6.300 mm	6.000 mm	14,8 kg
8.300 mm	8.000 mm	19,0 kg